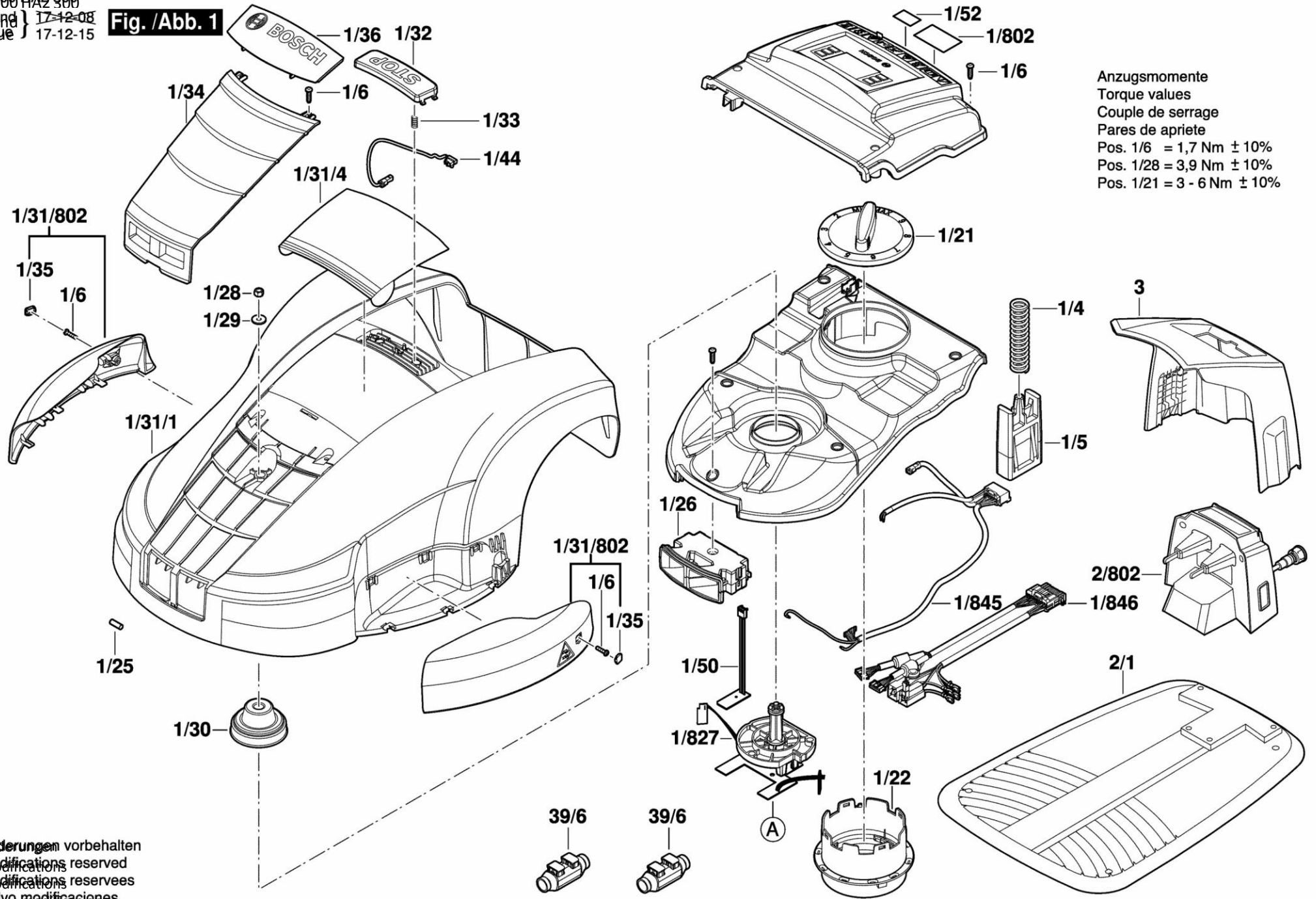


3 600 HA2 300
 Stand 17-12-08
 Issue 17-12-15

Fig. /Abb. 1



Anzugsmomente
 Torque values
 Couple de serrage
 Pares de apriete
 Pos. 1/6 = 1,7 Nm ± 10%
 Pos. 1/28 = 3,9 Nm ± 10%
 Pos. 1/21 = 3 - 6 Nm ± 10%

Änderungen vorbehalten
 Modifications reserved
 Modifications reserves
 Salvo modificaciones

